



Undersink nanofiltration for drinking water at its best

AP 70

The new way to drink



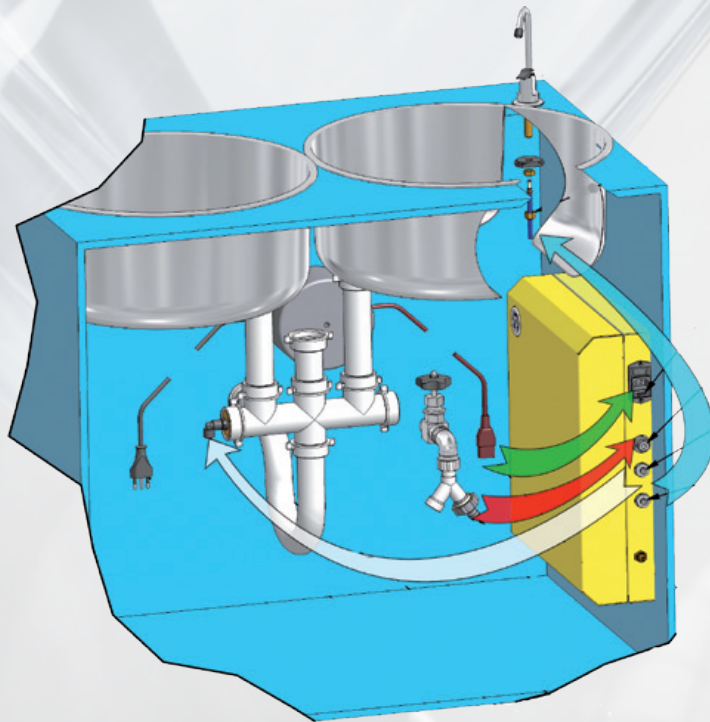
HP HIGH PRESSURE SRL
via f.lli cervi 16 - 20080 zibido san giacomo - italy
tel. +39 02 90005369 - fax +39 02 90005377
www.hpwatermaker.it e-mail: info@hpwatermaker.it



AP 70

The new way to drink

The water supplied by **AP 70** is chlorine free, ozone free and pure. This water perfectly respects the bio-electronic parameters, and so it is advised as water to drink, as water for the preparation of food for children and would be favourable its use even for cooking or for the body or face washing. **AP 70** uses a new kind of nanofiltration reverse osmosis membrane. The produced water from **AP 70** is immediately usable without any other treatments, like UV sterilisation or chlorine adding.



TECHNICAL CHARACTERISTICS

Production	70 Lt/h
Recovery	30%
Membranes	1
Pressure	8 bar
Inlet temperature	5÷ 40°C
Voltage	12VDC - 24VDC - 230VAC
Electrical consumption	240W